

Aqua Easy™

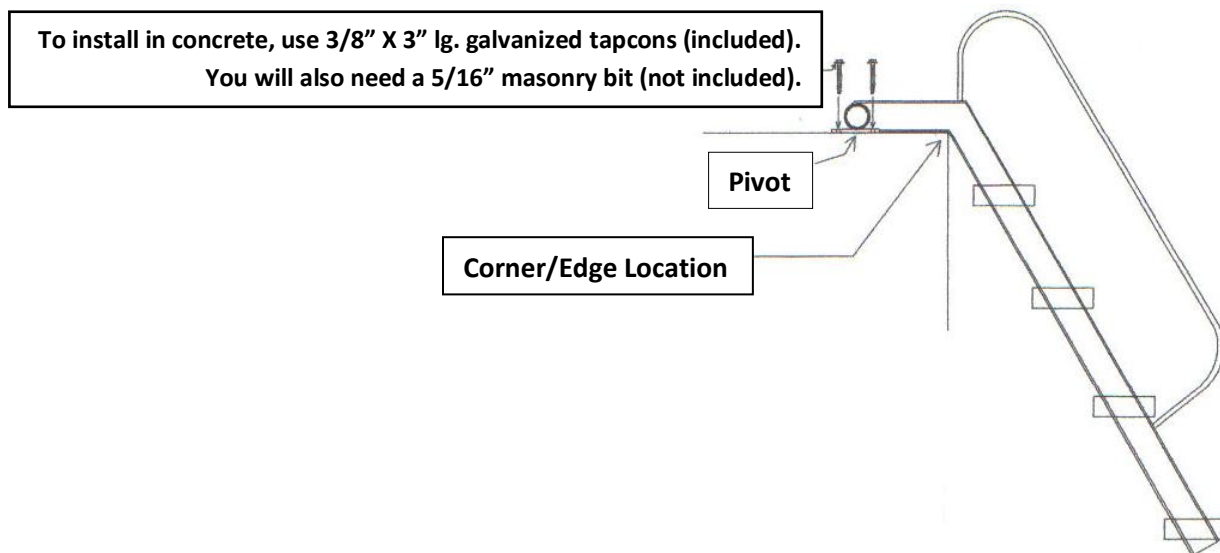
Dock Ladder

Installation Guide

Step 1: We recommend that you put a small amount of marine grease on pivot shafts. *This is only necessary on installation.*

Step 2: Slide pivots in position on shafts.

Step 3: Hang ladder on edge of dock, per drawing below. Keep a little weight on pivot arm until you have installed at least one tapcon. Continue installing remaining 7 tapcons.



Enjoy Your New Aqua Easy™ Ladder!

For inquiries visit us at: aquaeasyladders.com or call 305-872-0307

© 2009, Fabricators, Inc. All rights reserved.